

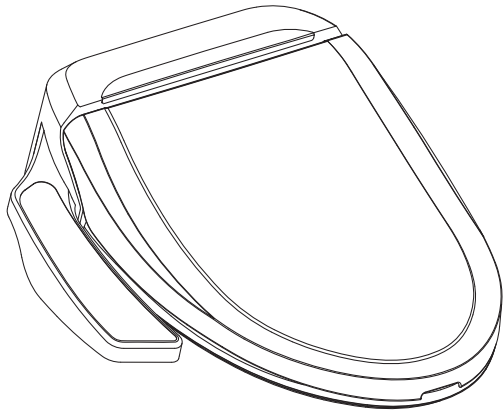
# INSTALLATION INSTRUCTIONS

## ELECTRONIC BIDET SEAT

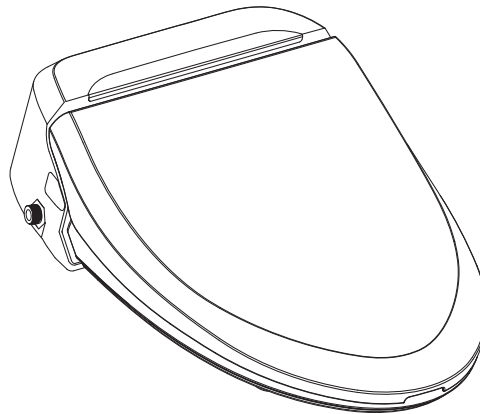


- Models:** 70080 Bidet Functions with Dryer  
70081 Bidet Functions with Dryer & Deodorizer  
70082 Bidet Functions with Dryer & Deodorizer & Remote Control

*Thank you for selecting Porcher - the benchmark of fine quality. To ensure this product is installed properly, please read these instructions carefully before you begin. (Certain installations may require professional help.) Also be sure your installation conforms to local codes.*



70080 & 70081



70082

SAVE FOR FUTURE USE

### MAY BE USED ON THE FOLLOWING PORCHER TOILETS:

- Archive 2pcs ..... 90200-00
- Archive 1pc ..... 97920-60, 97920-28
- Calla II 2pcs ..... 90290-00
- Chapeau 1pc ..... 97820-60, 97820-28
- Epic ..... 97720-00
- L'Expression II ..... 97520-00
- Lutezia 2pcs ..... 90160-00, 90550-60, 90550-28
- Solutions ..... 96010-60, 96010-28
- Veneto: ..... 97320-60, 97320-28



**THIS UNIT WAS MANUFACTURED FOR RESIDENTIAL USE ONLY.**

## **Table of Contents**

### **PREPARATION**

Safety Instructions .....	3
Installation Notes .....	4
Component Identification .....	5
Safety Information .....	6
Electronic Bidet Fit Dimensions .....	8

### **INSTALLATION**

Installation Instructions .....	9
---------------------------------	---

### **OPERATION**

Operation .....	12
Care & Cleaning .....	17
Storage & Inactivity .....	19
Trouble Shooting Guide .....	19
Specifications .....	19
Warranty .....	20

# Important Safeguards

## 1. READ ALL INSTRUCTIONS BEFORE USING

### **DANGER - To reduce the risk of electric shock:**

1. Do not place or store this appliance where it can fall or be pulled into a tub or sink.
2. Do not place or drop into water or other liquid.
3. Do not reach for a product that has fallen into water. Unplug immediately.

### **WARNING - To reduce the risk of burns, electric shock, fire or injuries**

1. Close supervision is necessary when this appliance is used by or near the young, elderly or disabled. Children should not be permitted to use or touch this appliance without the adult supervision. Be sure to adjust the temperature setting for the young, elderly, disabled, or people with sensitive skin.
2. Use this appliance only for its intended purpose as described in this manual. Do not use attachments not recommended by the manufacturer.
3. Never operate this appliance if it has a damaged cord or plug, if it is not working properly, if it has been dropped, damaged or submerged in water.
4. Install the unit properly by following the installation procedure.
5. Only authorized persons can repair the unit. Do not attempt to service the appliance yourself. Doing so could void the warranty.
6. Keep the cord away from heated surfaces.
7. Never drop or insert any objects into any opening or hose.
8. Do not use outdoors. Do not use aerosol spray products on the unit.
9. Always follow the grounding instruction in the manual before plugging in unit.

## **SAVE THESE INSTRUCTIONS**

# Cautions Before Installation

## 2. NOTE THE FOLLOWING IMPORTANT POINTS

1. Do not install in a location where water might be splashed on this appliance or in a location exposed to such excessive moisture that condensation forms on the product surface.
2. To avoid damage to electronic components due to high levels of humidity, provide adequate ventilation when bathing. You may find operating an exhaust ventilating fan during these times of high humidity beneficial.
3. Use a water supply having a water pressure of 12psi ~ 109psi (0.8kgf/cm<sup>2</sup> to 7.5kgf/cm<sup>2</sup>)
4. Connect the product to a pipe carrying potable water. Do not connect to an industrial water line or other water supply that does not carry potable water.
5. In areas where water freezes in pipes in winter make arrangements to keep pipes warm. The water remaining in the unit may sometimes freeze during storage in winter. In that case, warm the unit in the room before installation.
6. The thermal protector in the water tank may sometimes trip during storage or transportation in warm weather causing non-operation. In that case, cool the unit in the room before installation.
7. The rated power voltage is 120V AC, 60Hz.
8. Do not supply electrical power to the unit until the plumbing installation work has been completed.

# Cautions Before Installation... *continued*

## 3. WIRING REQUIREMENTS

1. Any other servicing should be performed by an authorized service representative.

### 2. GROUNDING INSTRUCTIONS

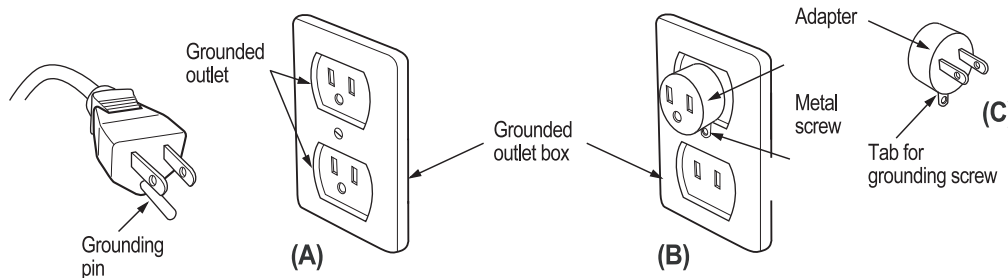
This product should be grounded. In the event of an electrical short circuit, grounding reduces the risk of electric shock by providing an escape wire for the electric current. This product is equipped with a cord having a grounding wire with a grounding plug. The plug must be plugged into an outlet that is properly installed and grounded.

#### **DANGER - Improper use of the grounding plug can result in a risk of electric shock.**

If repair or replacement of the cord or plug is necessary, do not connect the grounding wire to either flat blade terminal. The wire with insulating having an outer surface that is green with or without yellow stripes is the grounding wire.

Check with a qualified electrician or service person if the grounding instructions are not completely understood, or if in doubt as to whether the product is properly grounded.

3. This product is for use on a normal 120V circuit, and has a grounding plug that looks like the plug illustrated in sketch A. A temporary adapter, which looks like the adapter illustrated in sketches B and C, may be used to connect this plug to a 2-pole receptacle as shown in sketch B if a properly grounded outlet is not available. The temporary adapter should be used only until a properly grounded outlet (sketch A) can be installed by a qualified electrician. The green colored rigid ear, lug and the like extending from the adapter must be connected to a permanent ground such as a properly grounded outlet box cover. Whenever the adapter is used, it must be held in place by the screw.



4. If it is necessary to use an extension cord, use only a three wire extension cord the has a three-blade grounding plug, and a three-slot receptacle that will accept the plug on the product. Replace or repair a damaged cord.

5. Remote control power: AAA(1.5V), 3EA

**CAUTION - Risk of explosion to battery if replaced by an incorrect type.**

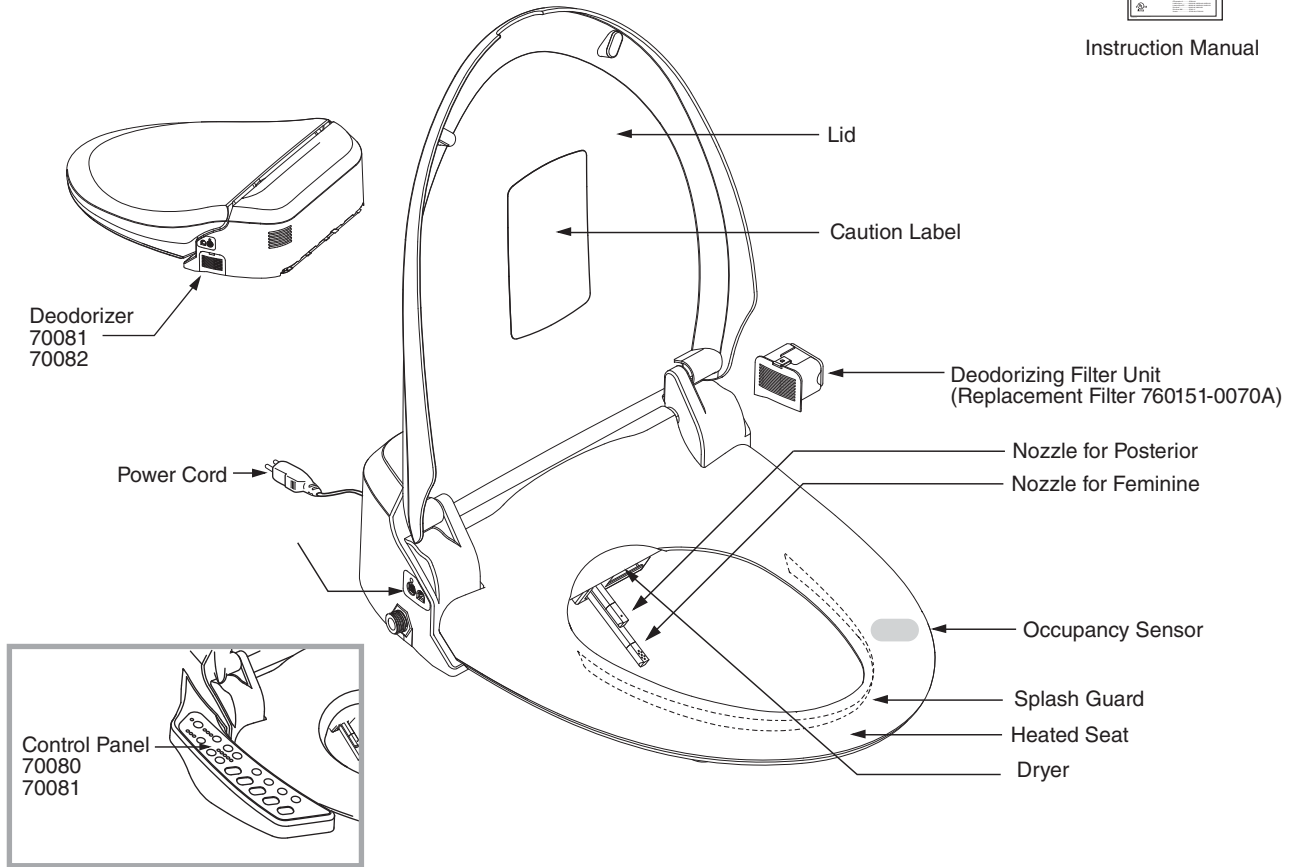
**Dispose of used batteries according to the instructions.**

# COMPONENT IDENTIFICATION



Instruction Manual

## Main Unit



## Accessories

<p>Metal Screws (2 pcs)</p> <p>Metal Washer (2 pcs)</p> <p>Plugs (2 pcs)</p> <p>For Concealed Trapway Toilet</p>	<p>Mounting Bolt (2 pcs)</p> <p>Cone Packing (2 pcs)</p> <p>Washer (2 pcs)</p> <p>Nut (2 pcs)</p> <p>For Exposed Trapway Toilet</p>	<p>Bolt Guide (2 pcs)</p> <p>Mounting Plate</p>	<p>Water Supply Hose (2 pcs)</p> <p>3/8" Spare Nut</p> <p>T-valve</p>	<p>70082 Only</p> <p>Remote Control Bracket</p> <p>Screw (2 pcs)</p> <p>Plastic Anchor (2 pcs)</p> <p>Battery (AAA x 3 pcs)</p>
<p>Repair Kit 760148-0070A</p>			<p>Repair Kit 760149-0070A</p>	<p>Repair Kit 760150-0070A</p>

# SAFETY INFORMATION



## WARNING

Please follow instructions to ensure the safe use of your appliance

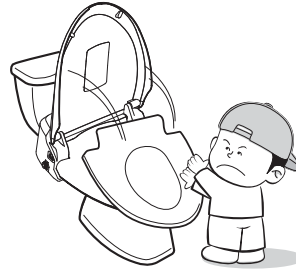
### Do not obstruct the dryer outlet.

- If the outlet is obstructed with any objects, it may result in fire.
- If the outlet is obstructed with hands, it may result in injury.



### Do not use if the seat and lid are disassembled.

- Disassembly may result in electric shock.



### Do not disassemble or modify this appliance.

- Disassembly or modification may result in fire or electric shock.



### Unplug if appliance beeps or emits an unpleasant odor.

- Unplug and contact your authorized dealer.



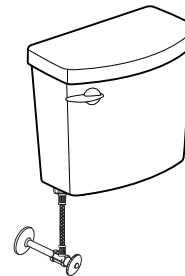
### Do not flood this appliance with water.

- Doing so may result in fire or electric shock.



### Use potable water only.

- Non-potable water may cause irritation or injury to your skin.





**WARNING** Please follow instructions to ensure the safe use of your appliance

**Do not step on or place heavy objects on this appliance.**

- Doing so may damage the unit or cause injury.



**Do not pull out the water hose forcefully.**

- Doing so may cause the water leakage.



**Be aware of urine splash on the nozzle or warm air dryer outlet.**

- Not doing so may result in unpleasant odor or appliance failure.



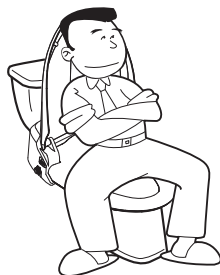
**Do not force lid to close.**

- Doing so may cause malfunction.



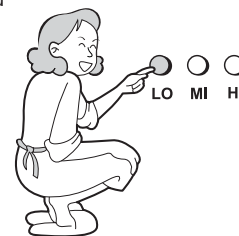
**Do not sit or lean against the lid or control panel.**

- Doing so may cause malfunction or damage.



**Select low temperature settings for children, elderly and disabled.**

- Low-grade burn may result if sitting on heated seat for an extended period of time.
- Exercise caution if used by:
  - Children, elderly, or disabled
  - Individuals on medication that causes drowsiness.
  - Individuals under the influence of alcohol.

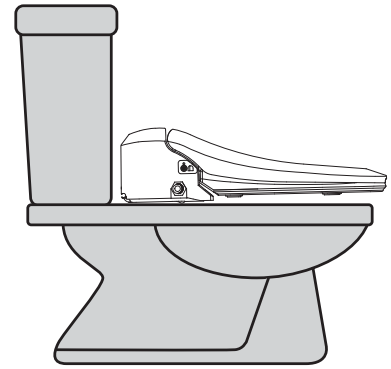
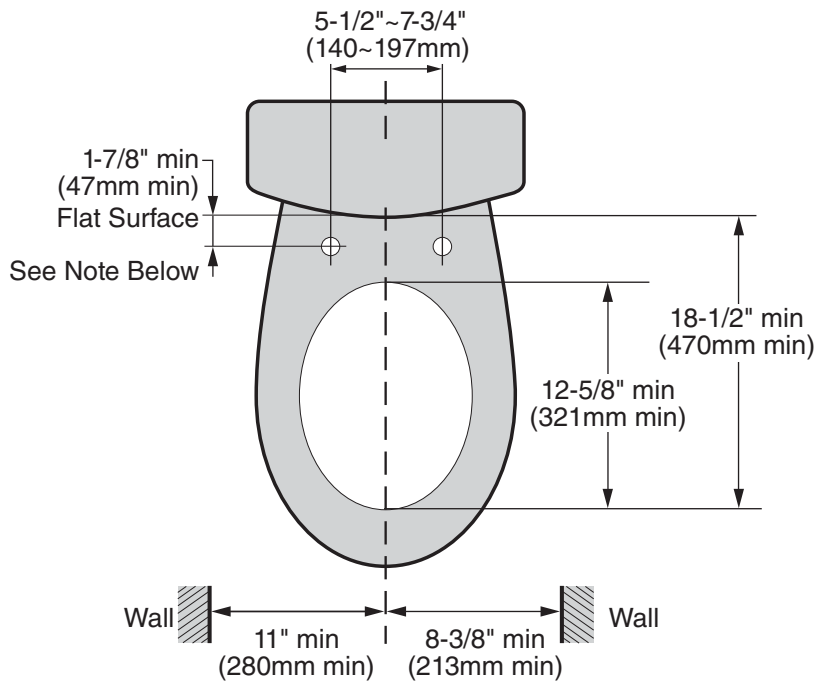


## ELECTRONIC BIDET FIT DIMENSIONS

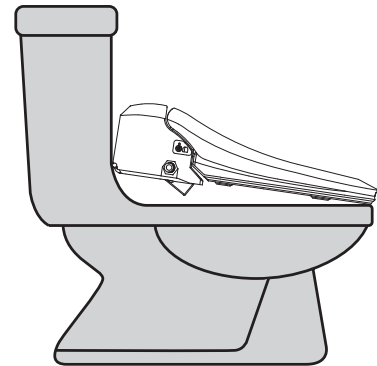
Although we recommend particular toilets on which the bidet fits, we have provided a guideline below to help our customer's determine compatibility with other toilets.

### Toilet Size (Elongated Bowl Only)

The toilet dimensions must be within those shown below. Do not install this appliance on a toilet that does not meet those dimensional requirements.



Properly Installed



See Note Below

### Note:

Some toilets have contours between the tank and bowl, which may not allow installation of the Electronic Bidet Seat.



# 1

## INSTALLATION INSTRUCTIONS

**Note:** Complete installation prior to plugging in unit.

Carefully uncrate and inspect your new Electronic Bidet for any shipping damage. If damaged, report it to your vendor immediately.

For electrical requirements, refer to section titled "Electrical Installation Instructions"

If electrical work is required, contact a qualified electrician.

### REMOVE THE EXISTING TOILET LID AND SEAT

1. Remove the nuts, washers and cone packings from the toilet seat mounting bolts in back of the toilet.
2. Remove the toilet seat, lid and, mounting bolts.

## 2a

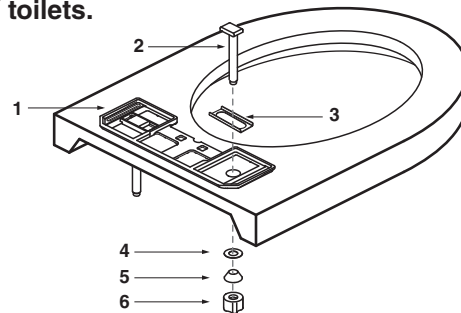
### Mounting plate installation for EXPOSED TRAPWAY toilets.

Place the plate and guides over each mounting hole.

Insert the mounting bolts through the plate and mounting holes.

Slide cone packings and washers onto the bolts.

**DO NOT OVER TIGHTEN** as it may damage the chinaware.



- |                    |                   |           |
|--------------------|-------------------|-----------|
| 1 - Mounting Plate | 2 - Mounting Bolt | 3 - Guide |
| 4 - Washer         | 5 - Cone Packing  | 6 - Nut   |

## 2b

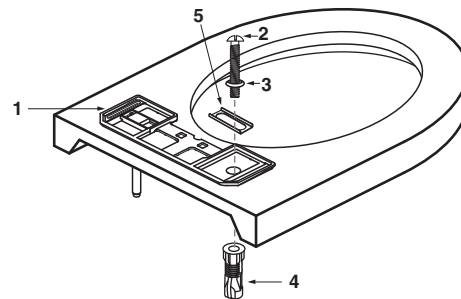
### Mounting plate installation for CONCEALED TRAPWAY toilets.

Insert plug into seat mounting holes on toilet.

Place the mounting plate and guide over each mounting hole.

Insert metal screw with metal washer and tighten screw to secure the mounting plate.

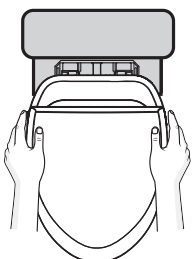
**DO NOT OVER TIGHTEN** as it may damage the chinaware.



- |                    |                 |                  |
|--------------------|-----------------|------------------|
| 1 - Mounting Plate | 2 - Metal Screw | 3 - Metal Washer |
| 4 - Plug           | 5 - Guide       |                  |

## 3

### Attaching & Detaching Unit.

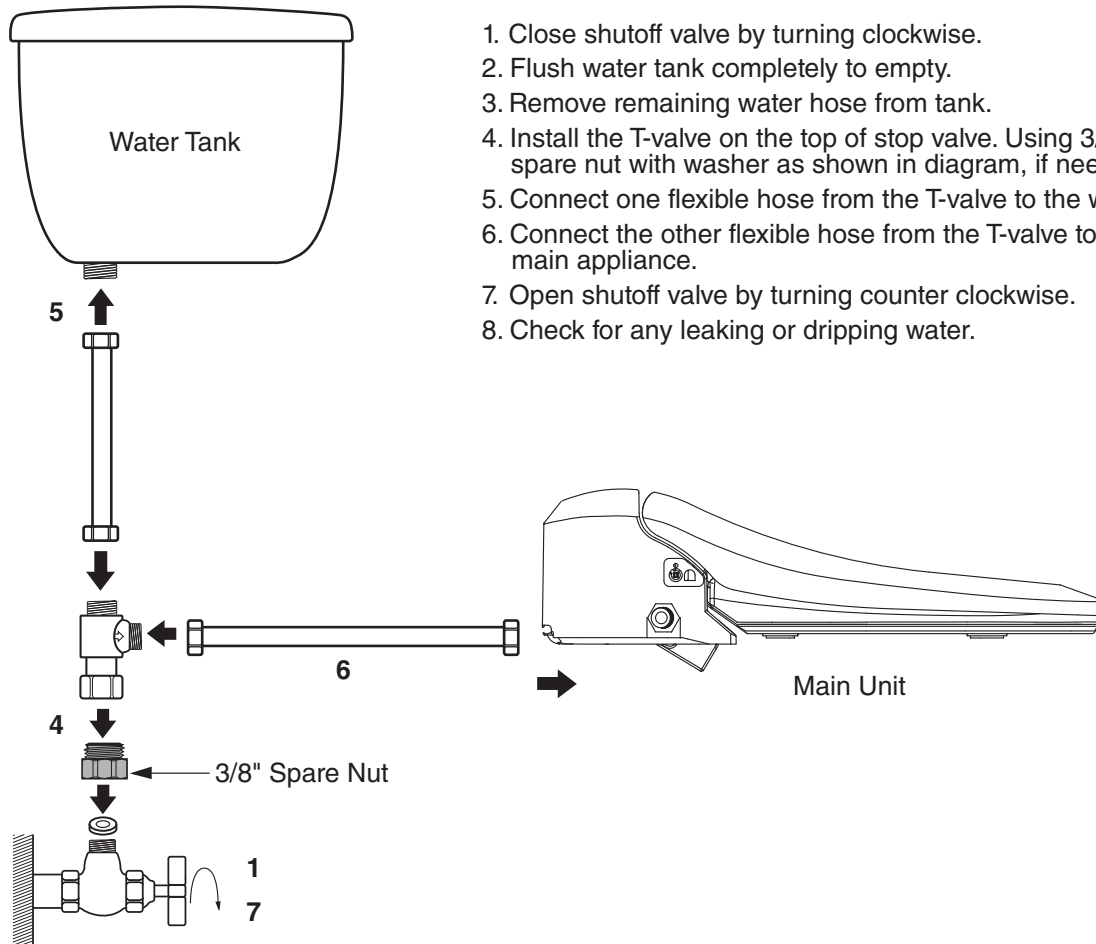


Slide the unit until it clicks into plate.



Lift the unit up and forward.

## CONNECTING THE WATER HOSE AND GROUNDING WIRE



1. Close shutoff valve by turning clockwise.
2. Flush water tank completely to empty.
3. Remove remaining water hose from tank.
4. Install the T-valve on the top of stop valve. Using 3/8" spare nut with washer as shown in diagram, if needed.
5. Connect one flexible hose from the T-valve to the water tank.
6. Connect the other flexible hose from the T-valve to the main appliance.
7. Open shutoff valve by turning counter clockwise.
8. Check for any leaking or dripping water.

## TRIAL OPERATION

## 1. Preparation

- Open shutoff valve and check for any leaking or dripping water.
- Plug power cord into outlet.
- Press the "BIDET" or "CLEANSING". Water tank will fill in 2 minutes.
- After the water tank has filled, you will hear long buzzer sound.

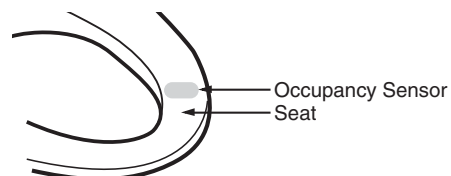
## 2. Functional Check

- Cover the toilet bowl using plastic wrap to prevent the water from being sprayed out of the toilet.
- Then check for all functions described in this manual.

**NOTE:** Residual water in nozzle may drip for a short period of time after use.

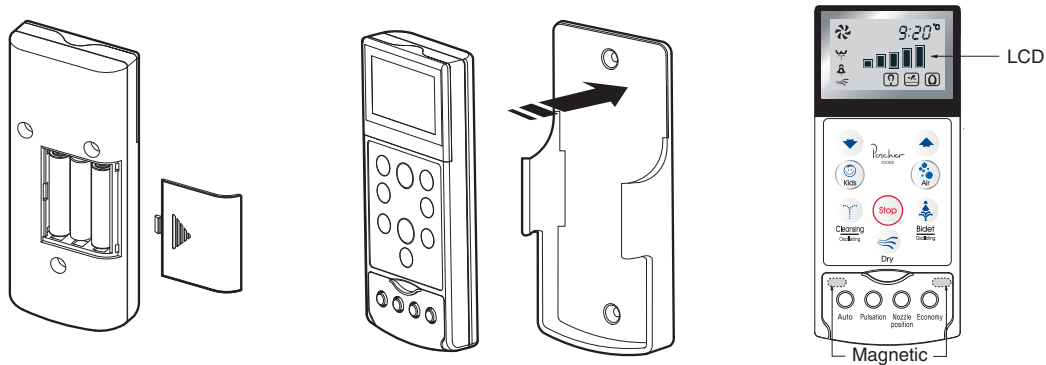
**NOTE: Occupancy Sensor**

This appliance is equipped with occupancy sensor. Unit will not function unless seat is occupied.



## INSTALLATION OF REMOTE CONTROL UNIT

### Battery Installation



1. Open the battery lid on remote control and insert 3 AAA batteries into battery compartment.
2. Check the display appears properly.
3. Check the remote control works properly while seat is occupied.
4. Install the remote control bracket on the wall as shown below.

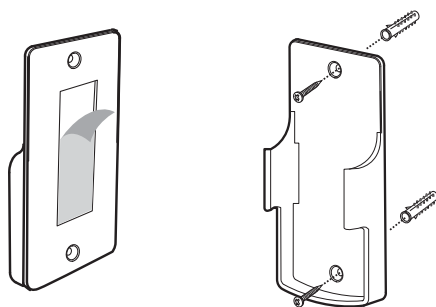
#### Note the following precautions to prevent ruptured batteries and battery acid leakage.

- Use 3 AAA batteries only. Do not use rechargeable batteries.
- Keep batteries out of reach of children.
- Do not mix new and old batteries or mix batteries of different types.
- Insert batteries correctly into position.
- Remove the batteries if they are expended or if remote control will not be used for extended period of time.
- Dispose of batteries accordance with manufacturer's direction.
- LCD would fades or blinks, if the batteries reach the end of their life. Change batteries immediately.
- Settings (time, power saving mode) will be lost when batteries are replaced.

- CAUTION: Risk of explosion if battery is replaced with an incorrect type or size.

#### Attachment of remote control bracket

Use double sided tape or use screws with plastic anchors.



## OPERATION MODEL NUMBERS 70080 & 70081

### CAUTION

- All functions will be operational when the seat is occupied except Nozzle Cleaning.
- Before operating, ensure that water tank is filled up completely.

### Stop STOP

- Press to stop current operation.
- When a user stands up, all operations will stop automatically.

### Cleansing Oscillating CLEANSING

- Press to clean your posterior.  
The function will stop after 60 seconds automatically.
- Press again to activate oscillation.  
The nozzle moves back and forth automatically to increase cleansing area.
- Press once more to stop oscillation.

### WATER SPRAY PRESSURE

- Water spray pressure can be adjusted high-to-low.
- Pressure will be re-set to Level 3 after each use.

### Bidet Oscillating BIDET

- Press for feminine wash.  
The function will stop after 60 seconds automatically.
- Press again to activate oscillation.  
The nozzle moves back and forth automatically to increase cleansing area.
- Press once more to stop oscillation.

### WATER SPRAY PRESSURE

- Water spray pressure can be adjusted high-to-low.
- Pressure will be re-set to Level 3 after each use.

### Dry DRY

- Press after "Cleansing" or "Bidet".  
Warm air will be delivered for 3 minutes.
- Press to toggle fan speed between Lo and Hi.

### DRY TEMPERATURE

- Temperature of dryer can be adjusted high-to-low.
- Temperature will be re-set to Level 3 after each use.

### Kids KIDS

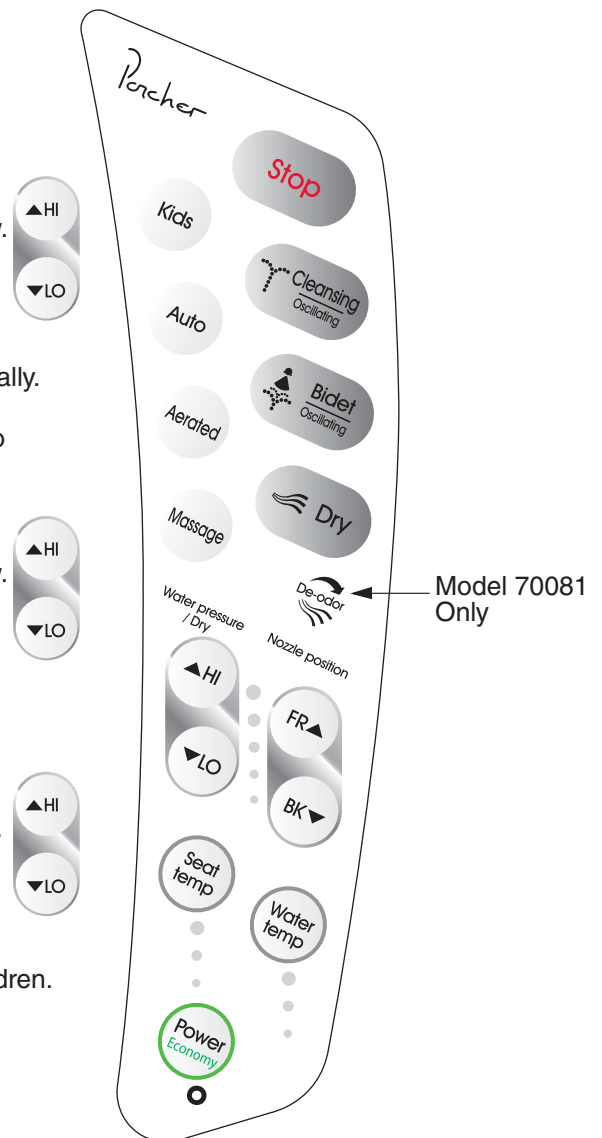
- Press to change for settings more suitable to children.  
The following settings will be selected:
- Oscillation 1 minute.
- Dryer 3 minutes.
- Water Pressure Level 1.
- Nozzle Position Level 5.

### Auto AUTO

- Press "Auto" during "Cleansing" operation.  
Cleansing wash, oscillating wash and dryer functions will each operate for 20 seconds consecutively.
- If Auto Bidet is desired, press "Bidet" and "Auto" consecutively.

### Aerated AERATED WASH

- Press to use aerated wash. Aerated water spray will reduce water consumption.
- Press again to release this function
- This function is always on during cleansing.



## OPERATION MODEL NUMBERS 70080 & 70081... *continued*



### **MASSAGE**

- Press for massage effect.
- Press again to release this function.



### **DEODORIZE (Model 70081 Only)**

- While appliance is in use, deodorizer will operate automatically (max 20 minutes).
- When user stands up, it stops after 60 seconds.



### **NOZZLE POSITION**

- Nozzle position can be adjusted front-to-back.
- Position will be re-set to Level 3 after each use.



### **TEMPERATURE ADJUSTMENT (Water & Seat)**

- Seat and water temperature can be adjusted.
- There are four levels, Room temp-Low-Medium-High.



### **ECONOMY MODE**

- Press to activate power saving function. Unit will be in economy mode after 1 hour of last use.
- In the economy mode, temperature of water and seat will be kept to 86 (30°C). Economy light on the remote control and green light on side panel will be illuminated.
- When unit is occupied during economy mode, temperature will be returned to original setting levels and returns to economy mode after 1 hour of use.
- Press again to release this function. Red light will be turned on in the side panel.

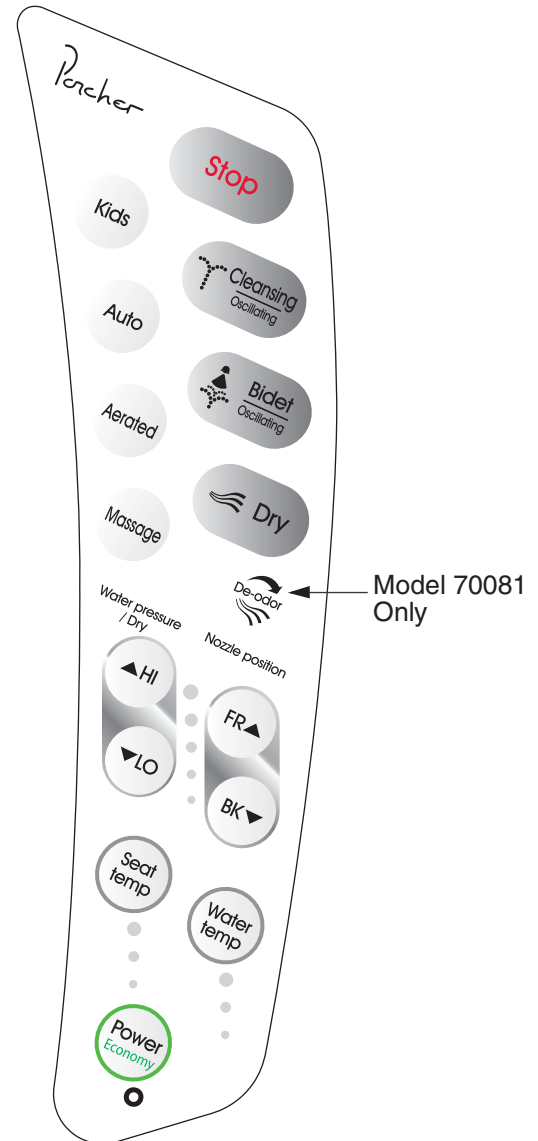
### **SELF-DIAGNOSTIC SYSTEM**

- This appliance has a self-diagnostic system. If the appliance experiences a problem, the power LED will illuminate.
- Unplug and contact service center immediately.

### **SELF CLEANING FUNCTION**

- This appliance automatically cleans its nozzles before and after every use.

When the power is plugged in initially, nozzle for feminine wash and posterior wash will extend in turn.



# OPERATION MODEL NUMBER 70082

## CAUTION

- All functions will be operational when the seat is occupied except Nozzle Cleaning.
- Before operating, ensure that water tank is filled up completely.



### STOP

- Press to stop current operation.
- When a user stands up, all operations will stop automatically.



### CLEANSING

- Press to clean your posterior. The function will stop after 60 seconds automatically.
- Press again to activate oscillation. The nozzle moves back and forth automatically to increase cleansing area.
- Press once more to stop oscillation.

### WATER SPRAY PRESSURE

- Water spray pressure can be adjusted high-to-low in 5 Levels.
- Pressure will be re-set to Level 3 after each use.



### BIDET

- Press for feminine wash. The function will stop after 60 seconds automatically.
- Press again to activate oscillation. The nozzle moves back and forth automatically to increase cleansing area.
- Press once more to stop oscillation.

### WATER SPRAY PRESSURE

- Water spray pressure can be adjusted high-to-low in 5 Levels.
- Pressure will be re-set to Level 3 after each use.



### DRY

- Press after "Cleansing" or "Bidet". Warm air will be delivered for 3 minutes.
- Press to toggle fan speed between Lo and Hi.

### DRY TEMPERATURE

- Temperature of dryer can be adjusted high-to-low in 5 Levels.
- Temperature will be re-set to Level 3 after each use.



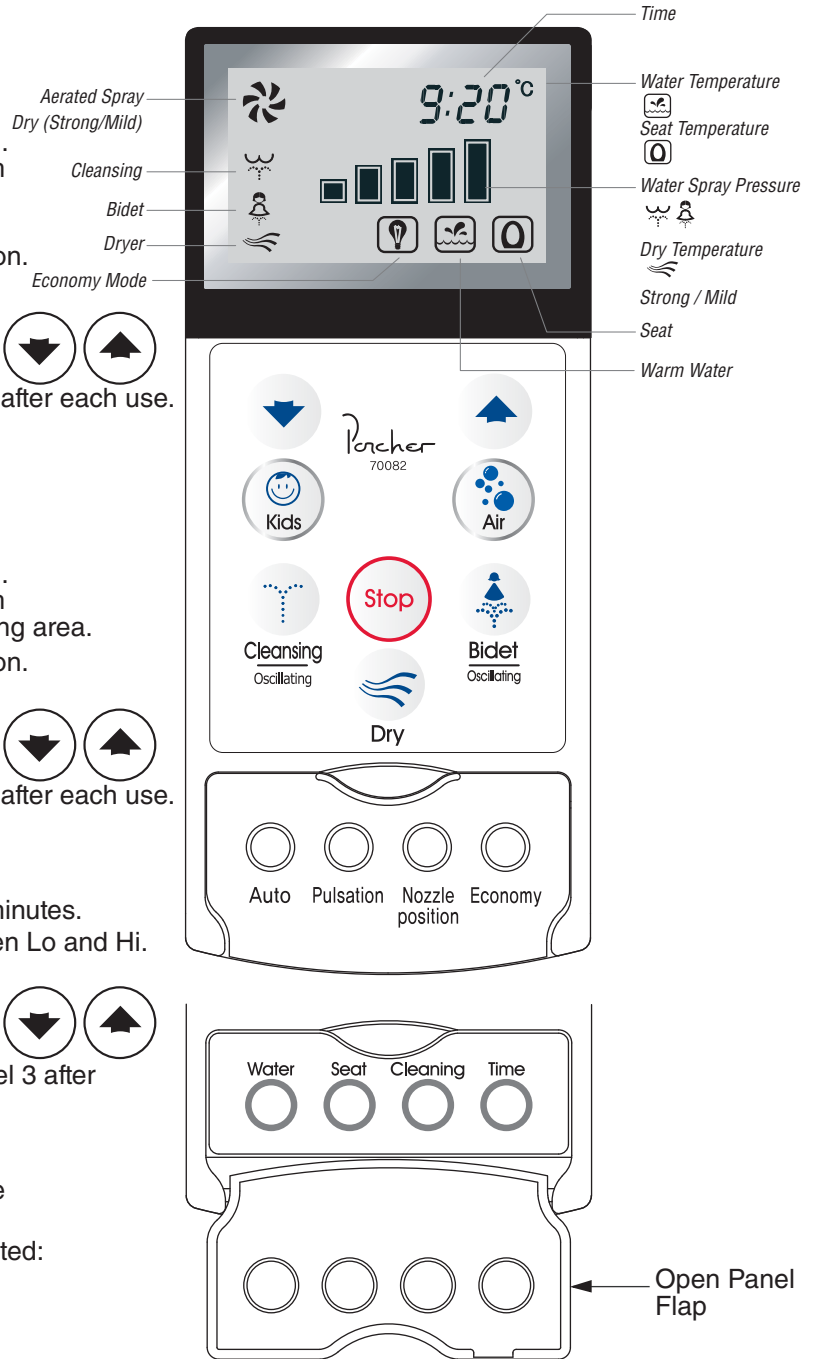
### KIDS

- Press to change for settings more suitable to children.
- The following settings will be selected:
- Oscillation 1 minute.
  - Dryer 3 minutes.
  - Water Pressure Level 1.
  - Nozzle Position Level 5.



### AERATED WASH

- Press to use aerated wash. Aerated water spray will reduce water consumption.
- Press again to release this function
- This function is always on during cleansing.



**OPERATION MODEL NUMBER 70082... continued**



**AUTO**

- Press “Auto” during the operation of “Cleansing”, cleaning wash, oscillating wash and dry will operate for each 20 seconds consecutively.
- If Bidet Auto is desired, press “Bidet” and “Auto” consecutively.



**PULSATION**

- Press massage effect.
- Press again to release this function.



**NOZZLE POSITION**

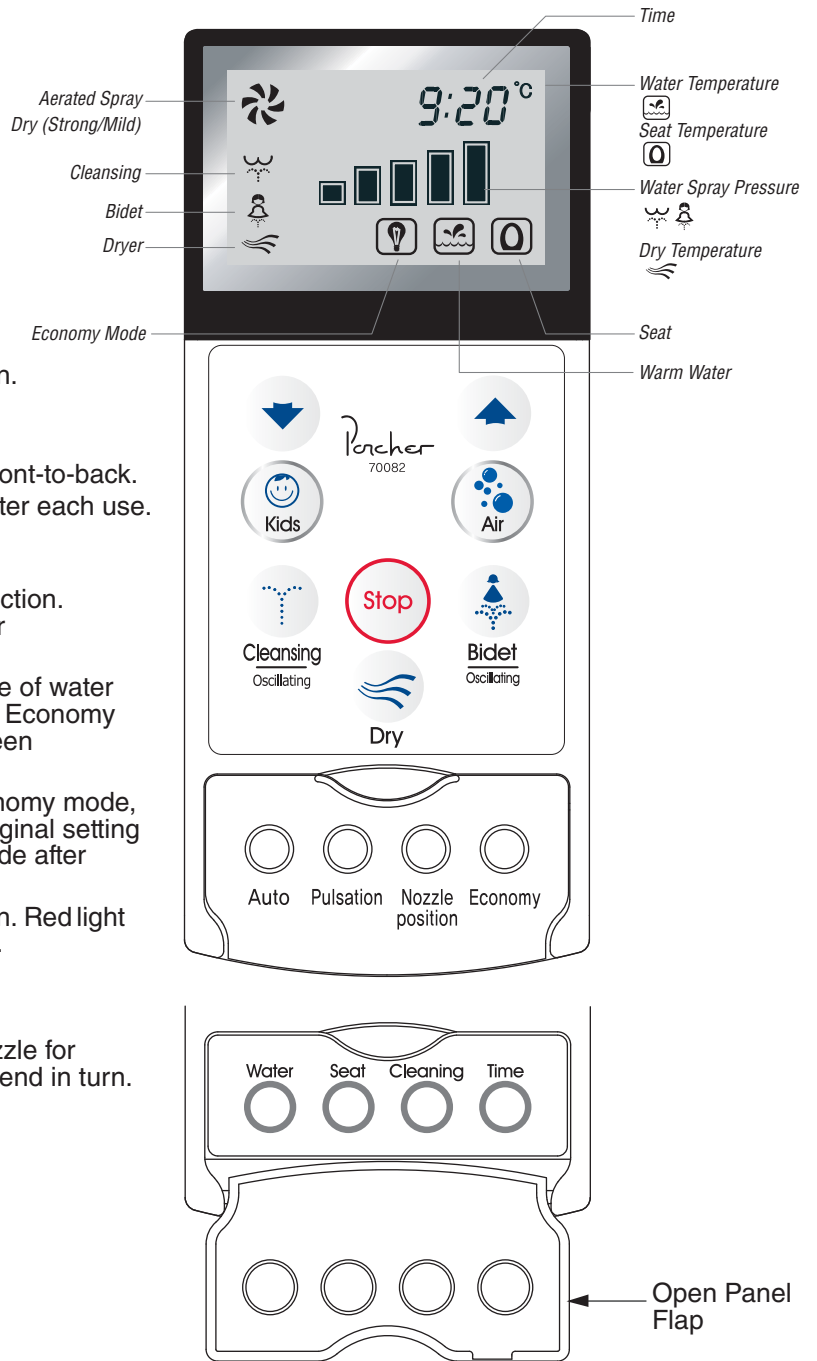
- Nozzle position can be adjusted front-to-back.
- Position will be re-set to Level 3 after each use.



**ECONOMY MODE**

- Press to activate power saving function. Unit will be in economy mode after 1 hour of last use.
- In the economy mode, temperature of water and seat will be kept to 86 (30°C). Economy light on the remote control and green light on side panel will be shown.
- When unit is occupied during economy mode, temperature will be returned to original setting levels and returns to economy mode after 1 hour of use.
- Press again to release this function. Red light will be turned on in the side panel.

When the power is plugged in initially, nozzle for feminine wash and posterior wash will extend in turn.



## OPERATION MODEL NUMBER 70082... *continued*

**Note:** Open Panel Flap on Remote Control to access following functions.

- **WATER (°C)**
  - Water temperature (°C) can be adjusted.
  - There are four levels, Room Temp-Low-Medium-High.

- **SEAT (°C)**
  - Seat temperature (°C) can be adjusted.
  - There are four levels, Room Temp-Low-Medium-High.

- **NOZZLE CLEANING**
  - Press cleaning button to clean the nozzles manually. While not sitting on the seat. Posterior wash nozzle will extend.
  - Press cleaning button again. Posterior nozzle return and feminine nozzle will extend.
  - Press "Stop" to return nozzle to stand-by mode.

### TIME SETTING

- - Time on the remote control shows in 12 hours mode.
  - To setup the time, press "Time" once and set the time by pressing ↓ ↑.
  - Press "Time" twice and set the minute by pressing ↓ ↑.
  - Time will be re-set (00:00) if batteries are changed.

### AUTOMATIC DEODORIZATION

- While the appliance is in use, the deodorizer will operate automatically (max 20 minutes).
- When user stands up, it stops after 60 seconds.

### SELF CLEANING FUNCTION

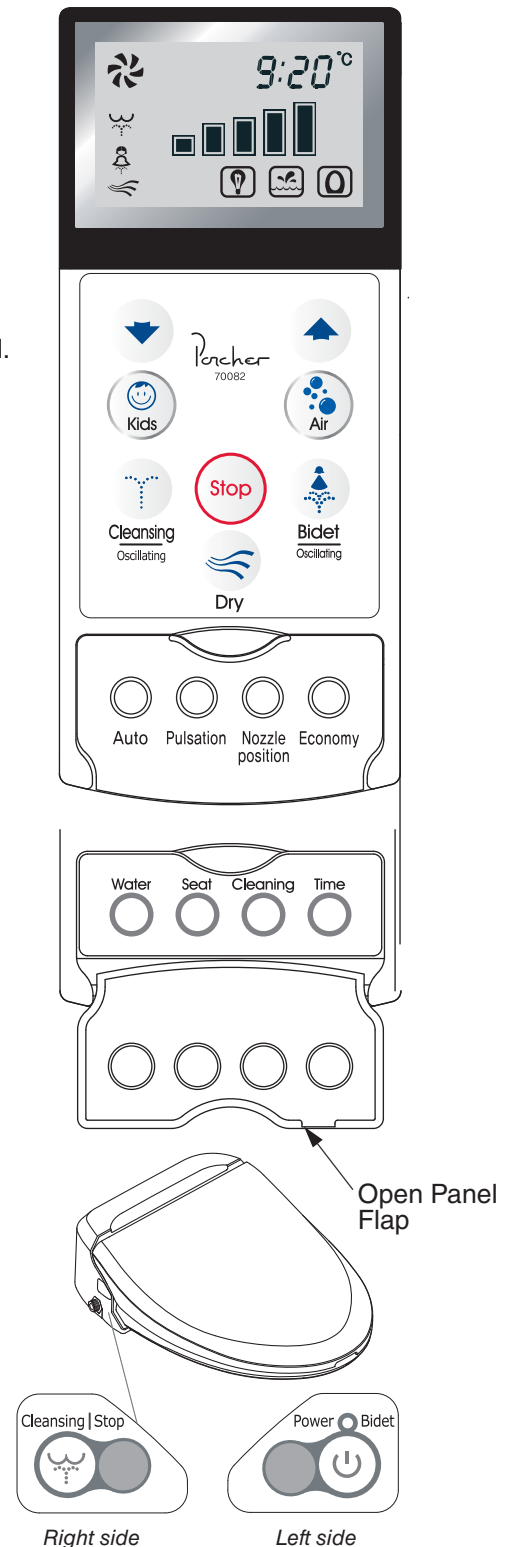
- This appliance automatically cleans its nozzles before and after every use.

### SELF-DIAGNOSTIC SYSTEM

- This appliance has a self-diagnostic system. If the appliance experiences a problem, the power LED will illuminate.
- Unplug and contact service center immediately.

### SIDE PANEL CONTROLS

- Use side panel controls in lieu of remote control.
- To turn off unit, press "Power/Bidet" while not sitting on the seat.



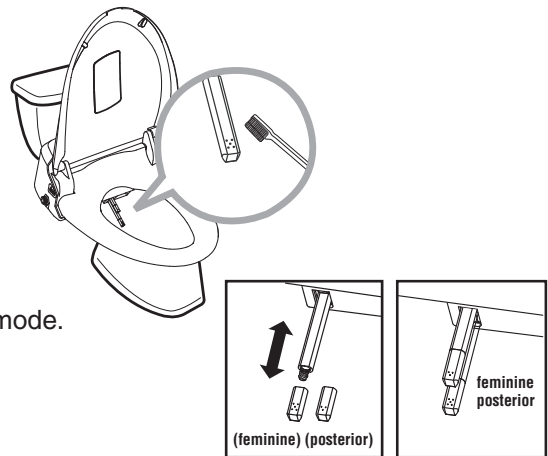


## CARE & CLEANING

### NOZZLE CLEANING

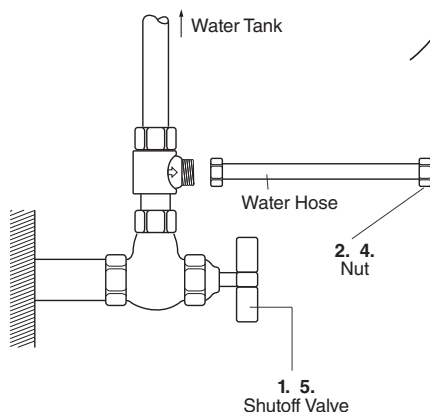
**Note:** Do not forcefully push or pull the nozzles, or bend them. In may result in failure.  
Make sure to use "Cleaning" button on the remote control.

1. Ensure that occupancy sensor is not activated.  
(Do not sit on the seat or place hands on the sensor)
2. Press "Cleaning" button, posterior nozzle extends.  
Press this button again, feminine nozzle extends.  
(for 70082)  
Press "FR" button, posterior nozzle extends.  
Press "BK" button again, feminine nozzle extends.  
(for 70080 / 70081)
3. Do not forcefully push, pull or bend the nozzles.  
Use a toothbrush or soft cloth to clean nozzles.  
Press "Stop," "FR," "BK" and nozzles will return to stand-by mode.  
For extended period of time cleaning, unplug for safety.
4. Do not retract nozzles without a nozzle tip.  
It may result in malfunction.
5. Beware of lost tips and change.



### STRAINER MAINTENANCE

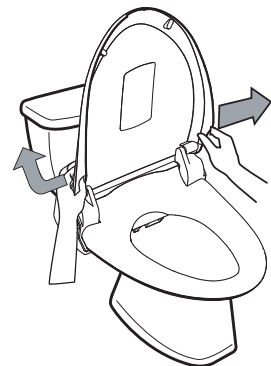
This appliance will not operate properly if the strainer is clogged.  
Clean the strainer regularly.



1. Close the shutoff valve by turning clockwise.
2. Unscrew the nut.
3. Clean the strainer with a small brush.
4. Rescrew the nut.
5. Open the shutoff valve by turning counter clockwise.

### CLEANING SEAT & LID

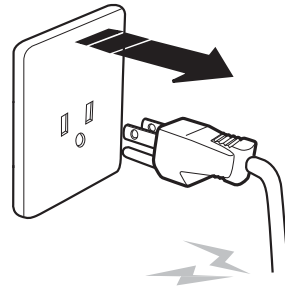
1. Regularly clean the seat & lid using a cloth or sponge, or dampened with a mild detergent.
2. Release the lid.
  1. Pull left and up the left hinge part.
  2. Release the right hinge part (be aware your fingers no to be caught)
3. Do not use cleansers which are unsafe to use on toilet seats.  
(toilet cleanser, home cleanser, bleach, benzene, paint thinner, etc.)



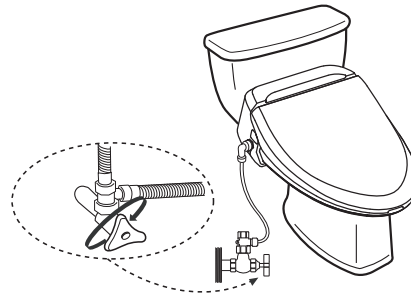
## STORAGE & INACTIVITY

When not using over extended period of time, we recommend draining water from appliance.

1. Unplug the power supply cord. Not doing so may cause fire.



2. Close the shutoff valve.

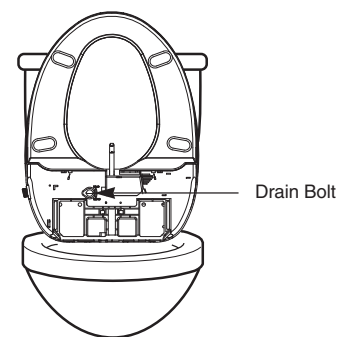


3. Unscrew the mounting bolts. Refer to the installation method.



4. Uphold the appliance and thoroughly drain the water by unscrewing the drain bolt. (beware of losing the drain bolt)

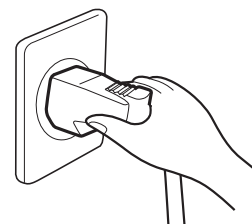
5. Return and fasten the drain bolt and re-install the appliance.



---

### Note: Prevent Freezing

1. Make sure power cord is plugged in properly.
2. Set the temperature of water to low or medium.
3. If not using the unit for a long time in winter, unplug and drain the water from the water tank and pipes thoroughly. Refer to the water drain method.



## TROUBLE SHOOTING GUIDE

Problem	Possible Cause	Solution
Fails to operate.	Is there a power outage? Is the power cord unplugged? Are you sitting on the seat correctly?	Check for a power cord failure or a tripped breaker. Plug the power cord in properly. Sit on the seat completely.
Water does not spray.	Is the water shutoff valve closed? Is the strainer clogged? Are the nozzles clogged? Is the water purifying filter clogged?	Check for any water leaking or dripping. Clean the strainer. Clean the nozzles. Change the water purifying filter.
Water is leaking or dripping.	Check all hoses are tightened properly.	If water is still leaking or dripping, contact your dealer.
Seat, water or air is not warm enough.	Is the temperature set to OFF? Is appliance used in economy mode such as cold weather?	Reset the temperature. Release the economy function.
Seat does not lock onto mounting plate.	Mounting plate bowed after mounting on toilet.	Adjust pad thickness in bottom of center mounting plate to make the mounting plate flat.

## SPECIFICATIONS

Item	70081/70082	70080
Standard Power Supply	AC 120V 60Hz 660W	
Water supply	Way of connection	Direct connection to tap water
	Water pressure*	12psi ~ 109psi (0.08MPa ~ 0.75MPa)
Cleansing	Spray for cleaning	0.24 ± 0.03 gal./min (900 ± 100ml/min)
	Spray for bidet	0.24 ± 0.03 gal./min (900 ± 100ml/min)
	Water capacity	0.21 gpm (800ml)
	Spray temperature	Room Temp ~ 140°F (60°C)
	Heater Capacity	600W
	Safety feature	Thermal switch, Temperature fuse, Floating switch
Dry	Air temperature	Room Temp ~ 140°F (60°C)
	Heater capacity	250W
	Safety feature	Temperature fuse
Water supply	Seat temperature	Room Temp ~ 104°F (40°C)
	Heater capacity	55W
	Safety feature	Temperature fuse
Deodorization method	Catalytic fuse	—
Length of power cord	47" (1.2m)	
Dimension	(W)15.43" x (L)20.47" x (H)5.62" [(W)392mm x (L)520mm x (H)143mm]	
Weight	9.7lbs (4.4Kg)	9.25lbs (4.2Kg)



**PORCHER ONE-YEAR LIMITED WARRANTY**

If inspection of this Porcher product, within one year after its initial purchase, confirms that it is defective in materials or workmanship, Porcher will repair or, at its option, exchange the product for a similar model.

This warranty **does not apply** to local building code compliance. Since local building codes vary considerably, the purchaser of this product should check with a local building or plumbing contractor to insure local code compliance before installation.

This warranty **shall be void** if the product has been moved from its initial place of installation; if it has been subjected to faulty maintenance, abuse, misuse, accident or other damage; if it was not installed in accordance with Porcher's instructions; or if it has been modified in a manner inconsistent with the product as shipped by Porcher.

This limited warranty does not apply to commercial installations.

Porcher's option to repair or exchange the product under this warranty does not cover any labor or other costs of removal or installation, **nor shall Porcher be responsible for any other incidental or consequential damages attributable to a product defect or to the repair or exchange of a defective product, all of which are expressly excluded from this warranty.** (Some states or provinces do not allow the exclusion or limitation of implied warranties, so this exclusion may not apply to you.)

This warranty gives you specific legal rights. You may have other statutory rights that vary from state to state or from province to province, in which case this warranty does not affect such statutory rights.

For service under this warranty, it is suggested that a claim be made through the contractor or dealer from or through whom the product was purchased, or that a service request (including a description of the product model and of the defect) be sent to the following address:

**In the United States:**

Porcher  
P.O. Box 6820  
Piscataway, New Jersey 08855  
Attention: Director of Consumer Affairs

For residents of the United States, warranty information may also be obtained by calling the following toll free number: (800) 359-3261  
[www.porcher-us.com](http://www.porcher-us.com)

**In Canada:**

AS Canada ULC  
5900 Avebury Rd.  
Mississauga, Ontario  
Canada L5R 3M3

Toll Free: (800) 387-0369  
[www.porcher.ca](http://www.porcher.ca)

**In Mexico:**

American Standard B&K Mexico  
S. de R.L. de C.V.  
Via Morelos #330  
Col. Santa Clara

Ecatepec 55540 Edo. Mexico  
Toll Free: 01-800-839-1200  
[www.porcher-us.com](http://www.porcher-us.com)